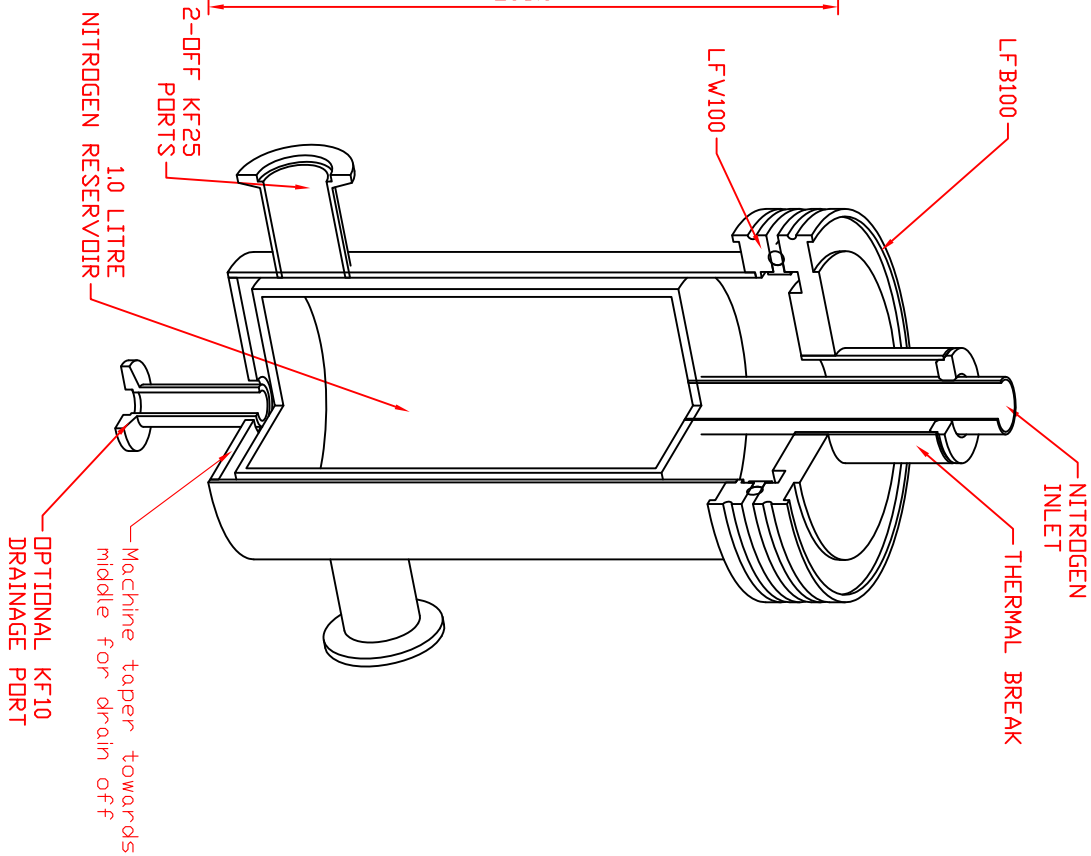
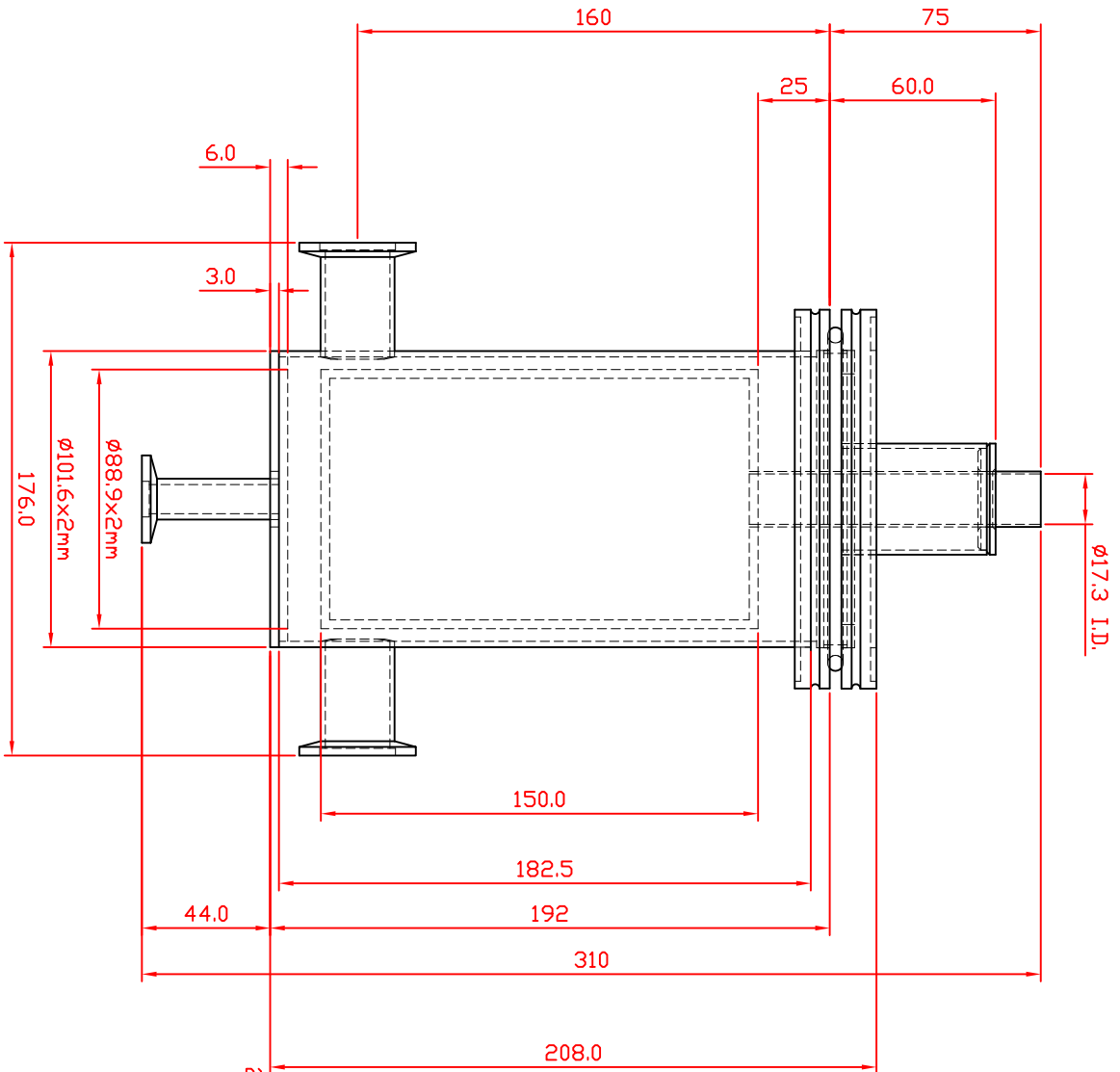


DO NOT SCALE: IF IN DOUBT ASK



GENERAL NOTES UNLESS STATED:

GENERAL TOLERANCES UNLESS STATED:

ALL DIMENSIONS METRIC	Linear	$\leq 350 \pm 1$	>350	± 2
GENERAL SURFACE ROUGHNESS $\sqrt{32}$	ANGULAR	$\pm 0.5^\circ$		
GENERAL SURFACE FINISH TO BE SCRATCH FREE	FOCAL POINT	$\phi 2$ sphere of confusion		
REMOVE ALL BURRS & BREAK SHARP EDGES	SURFACE FLATNESS	$< 0.0254/100$		

Designed by
S. TRUEMAN
Date
30/09/2009

Material

Scanwel Ltd
Lindfield Road, Ormskirk, Lancashire, UK
L23 7HW
Tel: 01707 523111
Fax: 01707 521755
www.scanwel.co.uk
This document remains the property of Scanwel Limited and is not to be reproduced or given to any 3rd party without prior written permission.

Description
DEMOUNTABLE LN₂
FINGER TRAP WITH DRAIN
Drawing Number
LNFT25